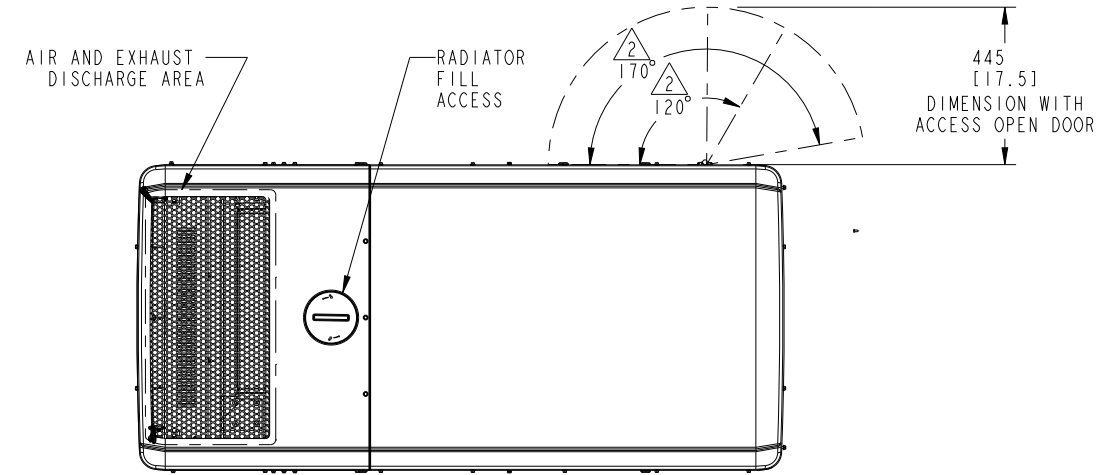


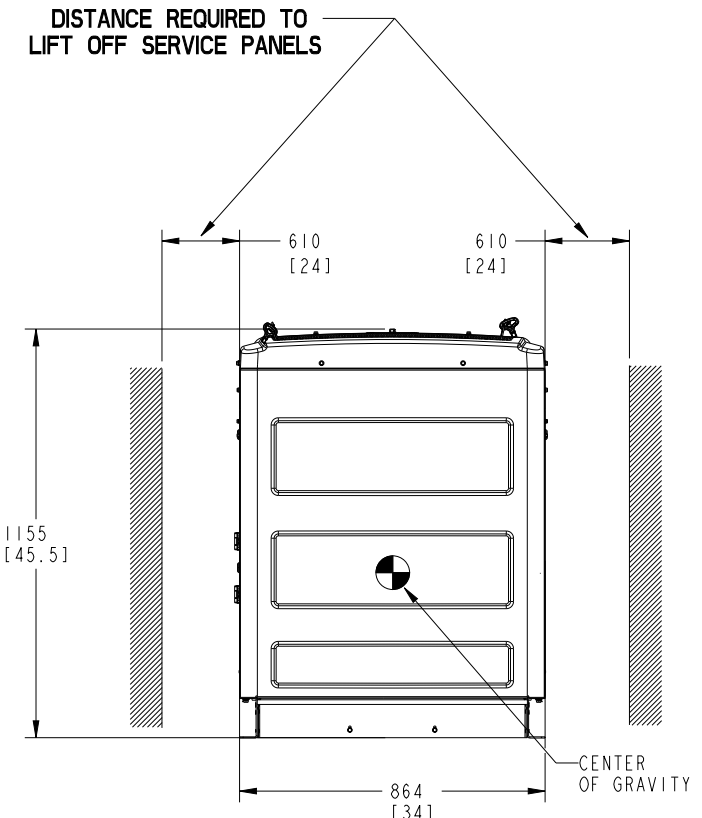
REL NO	LTR	NO	REVISION	DWN	CKD	APVD	DATE
ECO-178681	E	1	ZONE A4; F231-2 AND F216-2... CONFIGURATIONS WAS F231-2 ...	--	--	--	--
			CONFIGURATION	PPP	KAMM	WINGFIELD	09JUL18
		2	UPDATE VIEWS PICTORIALLY	PPP	KAMM	WINGFIELD	09JUL18

NOTES:

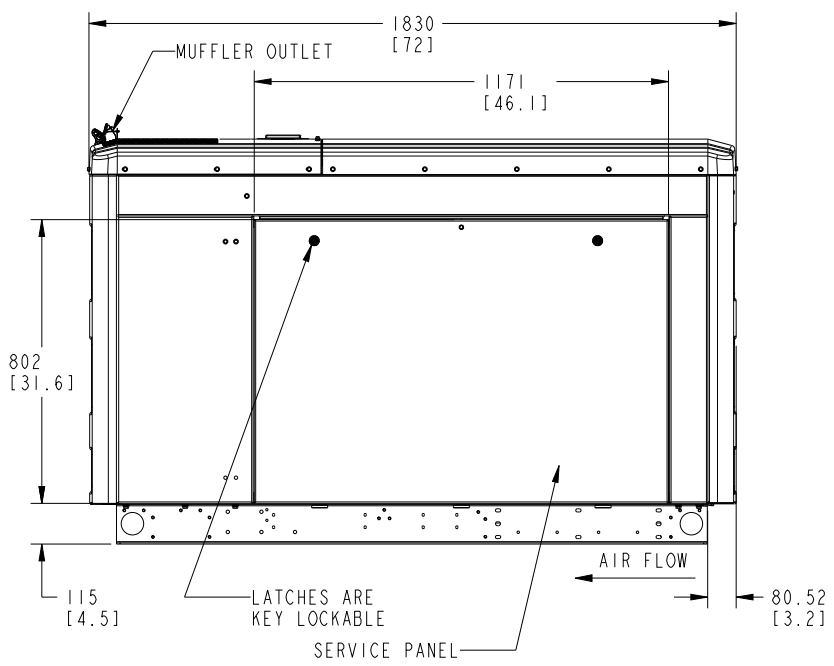
1. DIM [] IN INCHES
2. 120° AND 170° ARE DETENTED OPEN ANGLE OF HINGE.
3. WHEN HOUSING IS INSTALLED ON AN OPEN GENERATOR SET, THE TOTAL WEIGHT WILL INCREASE BY 84 KG (185 LBS). THIS INCLUDES THE MUFFLER.
4. THE CENTER OF GRAVITY (CG) OF THE GENERATOR SET WHEN EQUIPPED WITH THIS HOUSING SHIFTS APPROXIMATELY 51MM (2 INCH) TOWARDS THE AIR DISCHARGE END OF HOUSING AND 42MM (1.5 INCH) FROM THE GROUND. COMPARED TO THE EQUIVALENT NON-HOUSED PRODUCT WITH THE F179 SKID. SEE HOUSING READY SKID BASE OUTLINE DRAWING FOR CG LOCATION OF NON HOUSED PRODUCT.



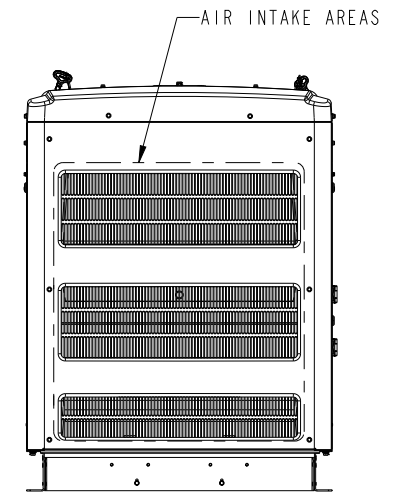
TOP VIEW



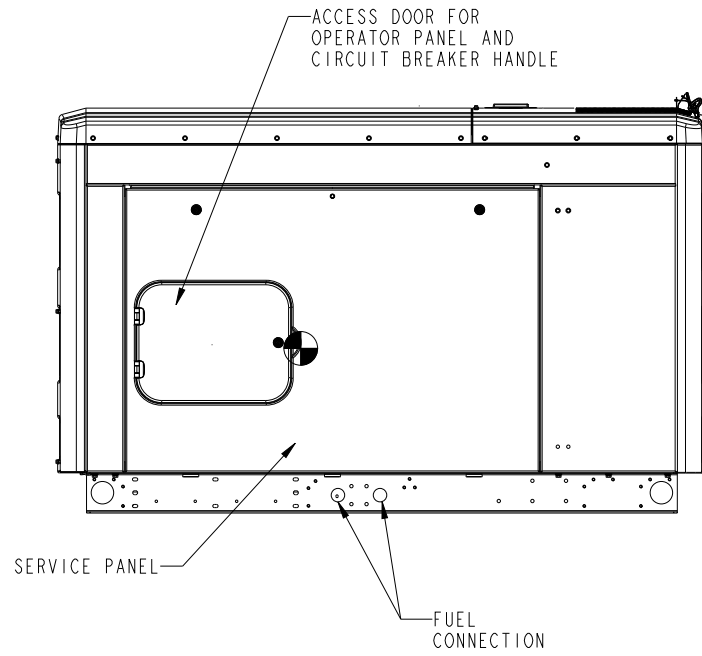
OUTLET VIEW



LEFT SIDE VIEW



INLET VIEW

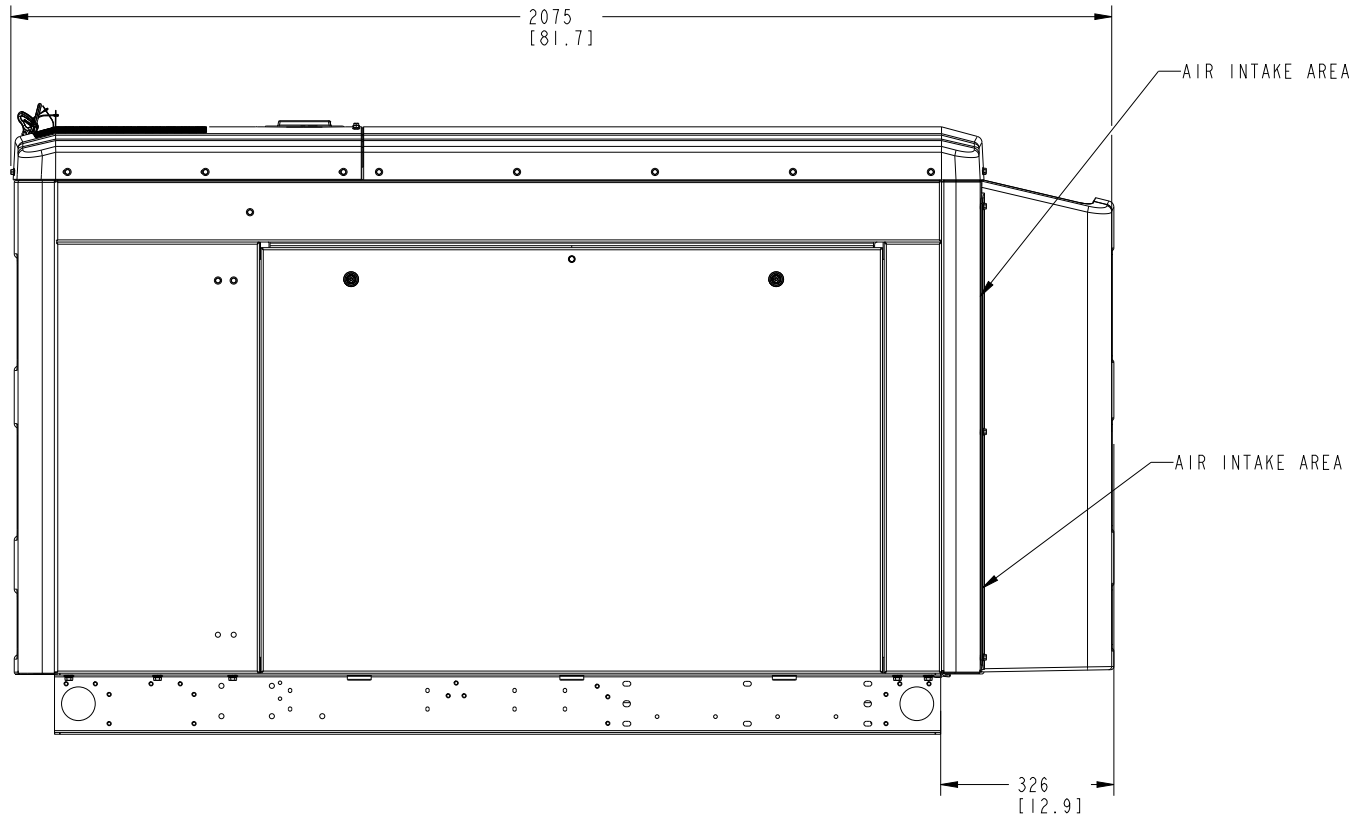
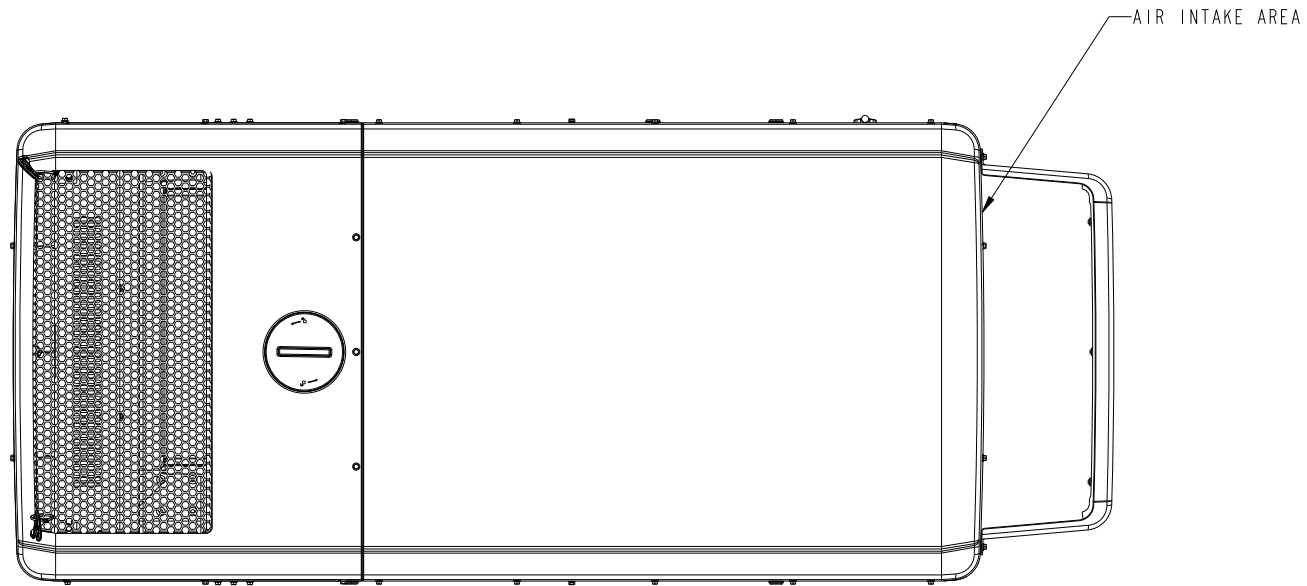


RIGHT SIDE VIEW

F231-2 AND F216-2 ENCLOSURE CONFIGURATIONS

UNLESS OTHERWISE SPECIFIED, ALL DIMENSIONS ARE IN MILLIMETERS		SH TO NONE	DWN S_GAMBHIRE		CUMMINS POWER GENERATION	
DO NOT SCALE PRINT			CKD T_RADKE		OUTLINE, ENCLOSURE	
DIM X ± 1 0.00-4.99 +0.15/-0.08 .X ± 0.8 5.00-9.99 +0.20/-0.10 .XX ± 0.38 10.00-17.49 +0.25/-0.13 17.50-24.99 +0.30/-0.13			APVD J_MATTHEWS	SITE CODE	A043U604	
ANG TOL: ± 0.5°		SCALE: 1/10	DATE 17JAN13	PGF	SHEET 1 OF 2	DWG REV E
- CONFIDENTIAL - PROPERTY OF CUMMINS POWER GENERATION GROUP FOR INTERPRETATION OF DIMENSIONING AND TOLERANCING, SEE ASME Y14.5M-1994			FIRST USED ON ARROW			

REL NO	LTR	NO	REVISION	DWN	CKD	APVD	DATE
ECO-178681	E	-	--	PPP	KAM	M. WINGFIELD	09 JUL 18



F217-2 ENCLOSURE CONFIGURATION

REFER TO PAGE 1 (F231-2 ENCLOSURE) FOR OTHER F217-2 ENCLOSURE DIMENSIONS.

UNLESS OTHERWISE SPECIFIED, ALL DIMENSIONS ARE IN MILLIMETERS			SHW TO: NONE	DWN: S_GAMBHIRE		CUMMINS POWER GENERATION	
DO NOT SCALE PRINT				CKD: T_RADKE		OUTLINE, ENCLOSURE	
DIM	TOLERANCE	HOLE		APVD: J_MATTHEWS	SITE CODE		
X ± 1	0.00- 4.99 +0.15/-0.08			DATE: 17 JAN 13	PGF	DWG NO: A043U604	SHEET: 2 of 2
.X ± 0.8	5.00- 9.99 +0.20/-0.10						DWG REV: E
.XX ± 0.38	10.00-17.49 +0.25/-0.13						
ANG TOL: ± 0.5°	17.50-24.99 +0.30/-0.13						
SCALE: 1/10							
- CONFIDENTIAL - PROPERTY OF CUMMINS POWER GENERATION GROUP			FOR INTERPRETATION OF DIMENSIONS AND TOLERANCING, SEE ASME Y14.5M-1994	FIRST USED ON			

Part A043U604 E

Description	Legacy Name	External Regulations	Application Status	Release Phase Code	Security Classification	Alternates
OUTLINE,ENCLOSURE	A043U604	No External Regulations Apply	Production Only	Production	Internal Use Only	

Part Specifications :A043U604 E

Name	Description	Legacy Name
A030B356	SPECIFICATION,MATERIAL	CES10903
A043U605	DRAWING,ENGINEERING	A043U605